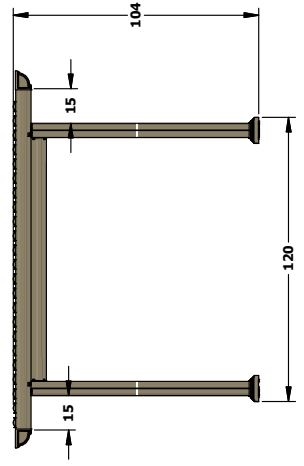
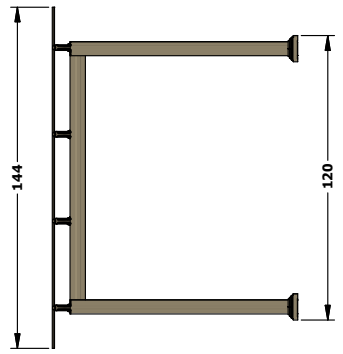
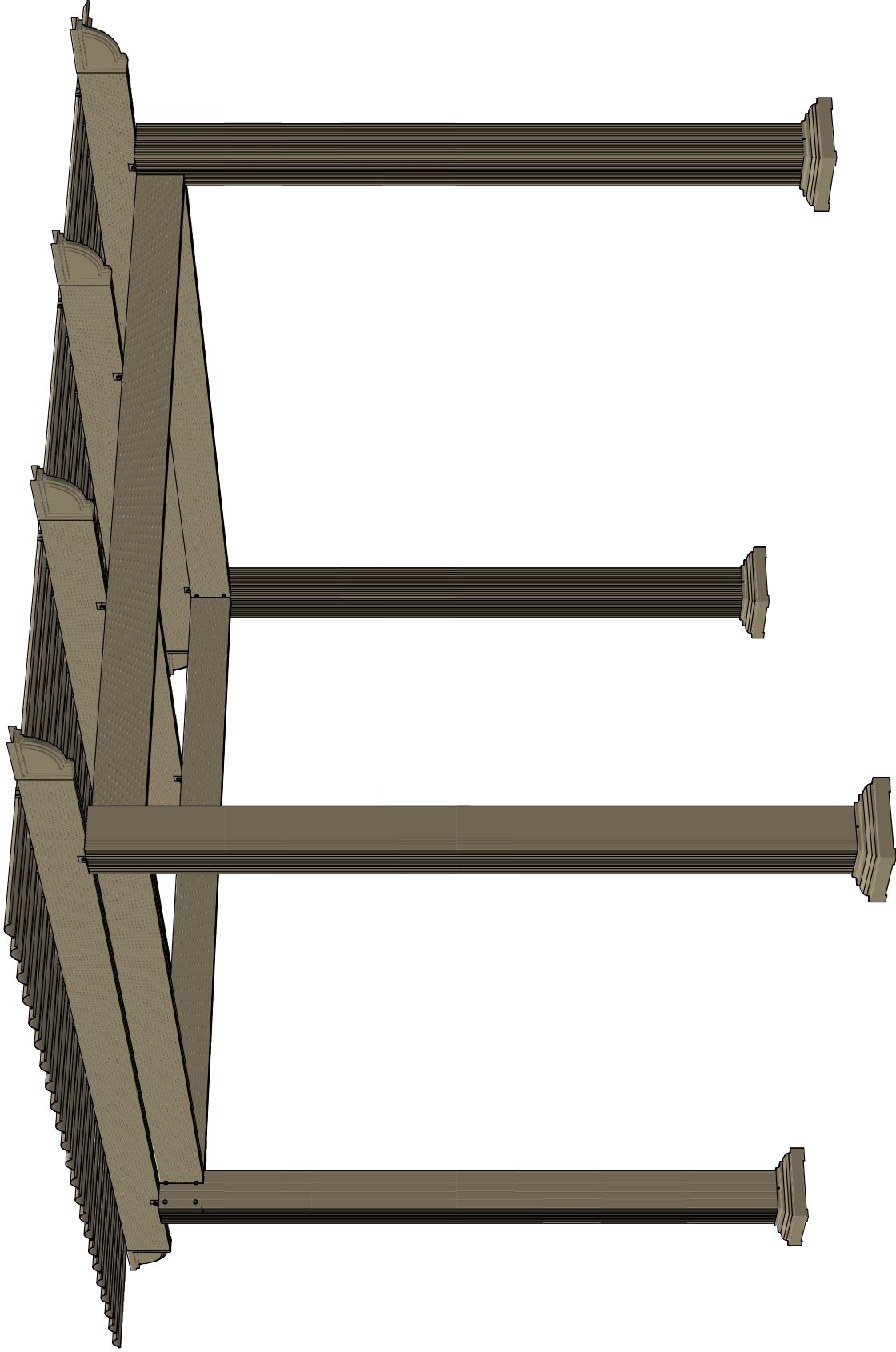
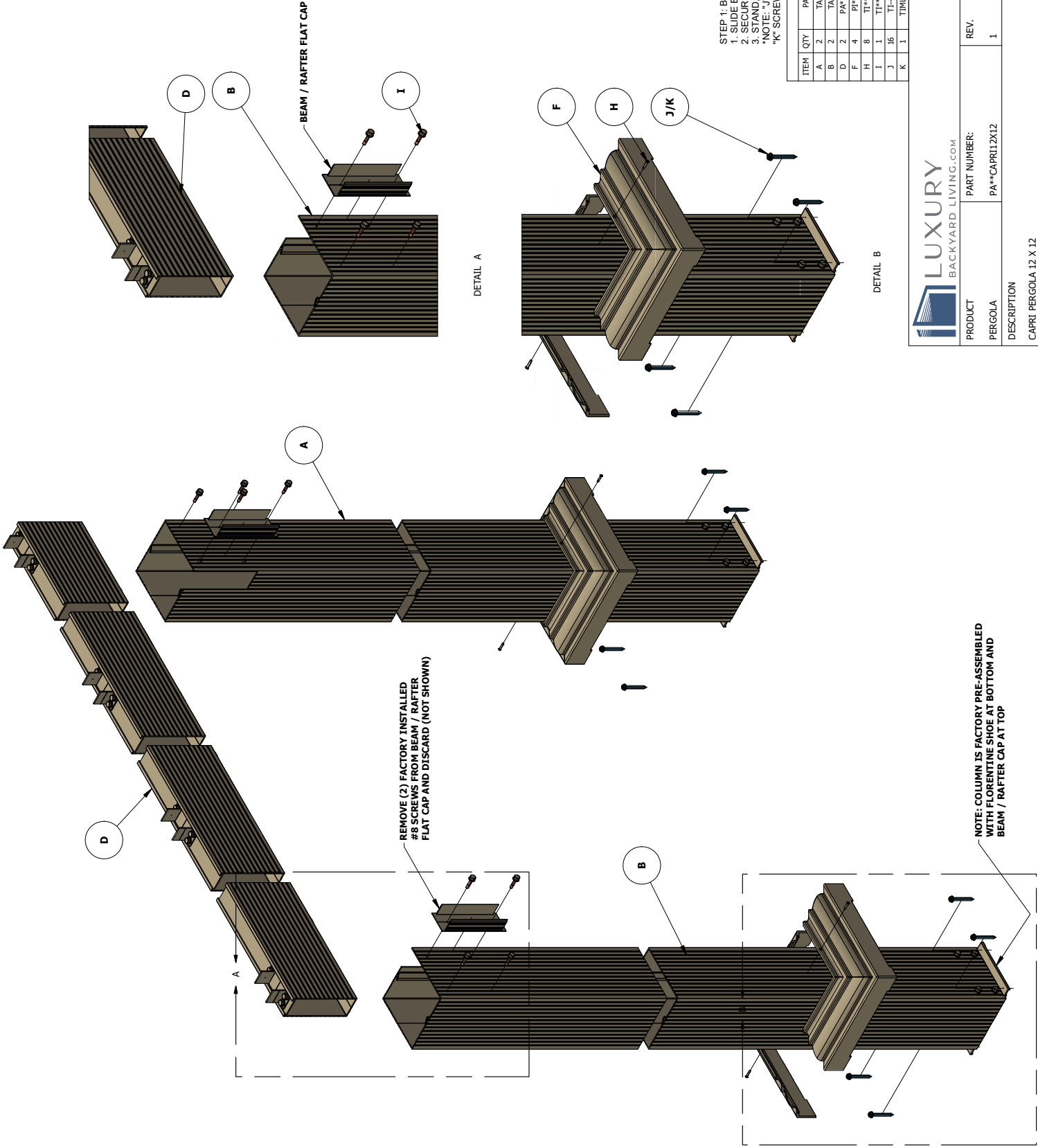


CAPRI PERGOLA 12 X 12



		20330 HALL RD. CLINTON TWP., MI 48038	
PRODUCT	PART NUMBER:	REV.	SIZE:
PERGOLA	PA**CAPRI12X12	1	D
DESCRIPTION	CAPRI PERGOLA 12 X 12		SCALE:
			NONE
DEALER: N/A	FILE NAME: 12 x 12 Fixed Capri.lam	©2023 LuxuryBackyardLiving.com	SHEET: 1 OF 5
	DRAWN BY:	DATE:	
	mfrnk	12/30/2022	
	APPROVED BY:	DATE:	
	MCF	12/30/2022	



REMOVE (2) FACTORY INSTALLED #8 SCREWS FROM BEAM / RAFTER FLAT CAP AND DISCARD (NOT SHOWN)

DETAIL A

DETAIL B

STEP 1: BUILD ARCHWAY LAYING DOWN
 1. SLIDE BEAM INTO COLUMN NOTCHES.
 2. SECURE BEAM AND BRACE BRACKET TO COLUMNS.
 3. STAND, POSITION, AND SECURE ARCHWAY INTO PLACE.
 *NOTE: "J" SCREWS TO BE USED FOR CONCRETE.
 *"K" SCREWS TO BE USED WITH WOOD.

ASSEMBLY PARTS LIST			
ITEM	QTY	PART NUMBER	DESCRIPTION
A	2	TA**CAKIT-08	COLUMN A KIT ASSEMBLY 8FT
B	2	TA**CBRT-08	COLUMN B KIT ASSEMBLY 8FT
D	2	PA**BERA114.75	BEAM/RAFTER ASSY 114.75in
F	4	PI**FLBCL1X11	BASECAP 2PC FLORENTINE 11X11
H	8	TI**FAS63069**	PH FLAT HEAD #6x.75in
I	1	TI**HEXNI2X1**	BT HEX NYLON HEAD 12x1in
J	16	TI**TAPG22.7612	TAPCON 0.25inx2.25in EA
K	1	TI**SSW307620	SHEET SCREW/NEO WASHER #12x2.5in 25pk ML

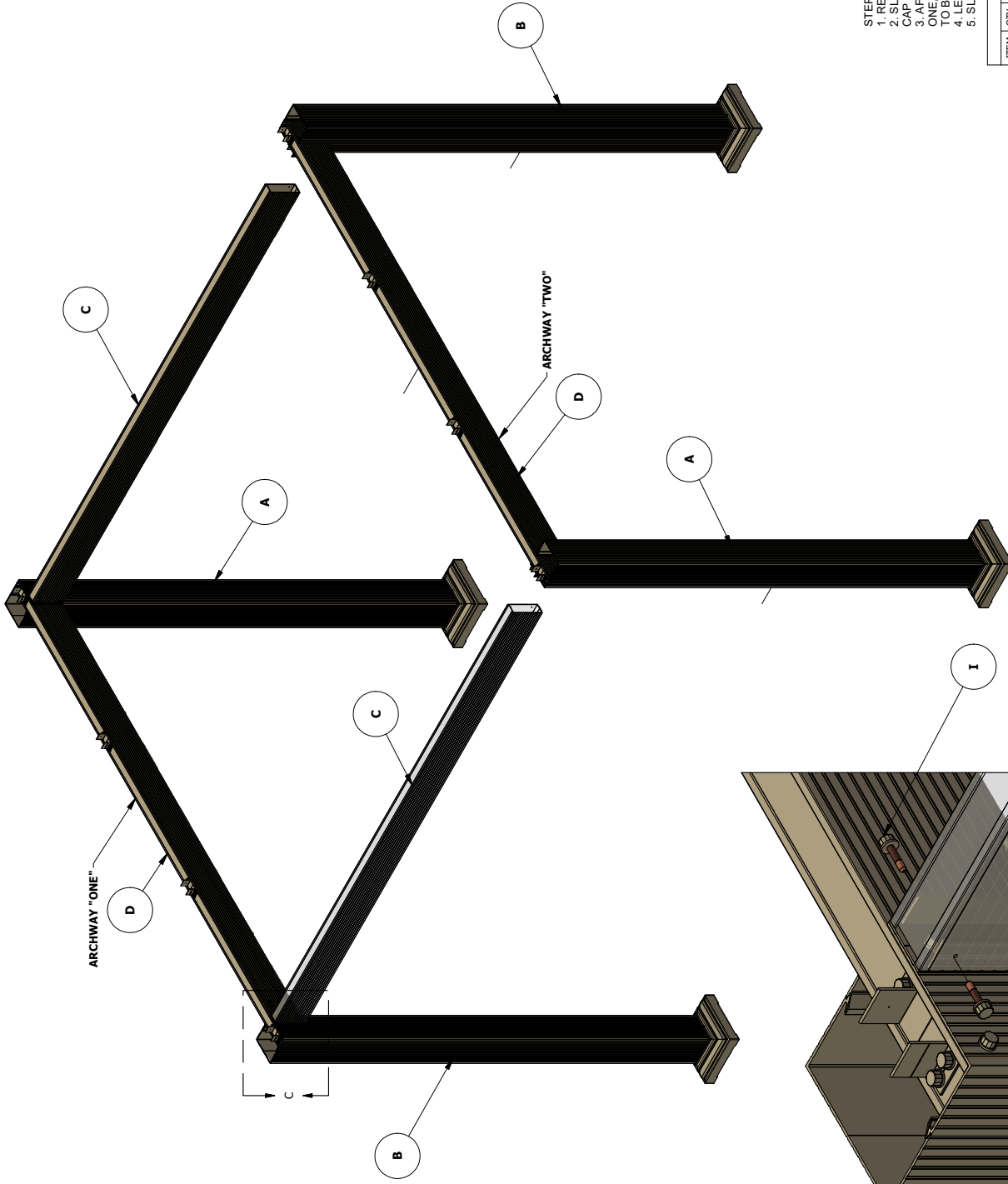
LUXURY
BACKYARD LIVING.COM

20330 HALL RD.
CLINTON TWP., MT. 48038

PRODUCT	PART NUMBER:	REV.	SIZE:	DATE:
PERGOLA	PA**CAPRI12X12	1	D	12/30/2022
DESCRIPTION	APPROVED BY:			
CAPRI PERGOLA 12 X 12	MCF			
DEALER: N/A	FILE NAME: 12 x 12 Fixed Capri.iam			

©2023 LuxuryBackyardLiving.com SHEET: 2 OF 5

NOTE: COLUMN IS FACTORY PRE-ASSEMBLED WITH FLORENTINE SHOE AT BOTTOM AND BEAM / RAFTER CAP AT TOP



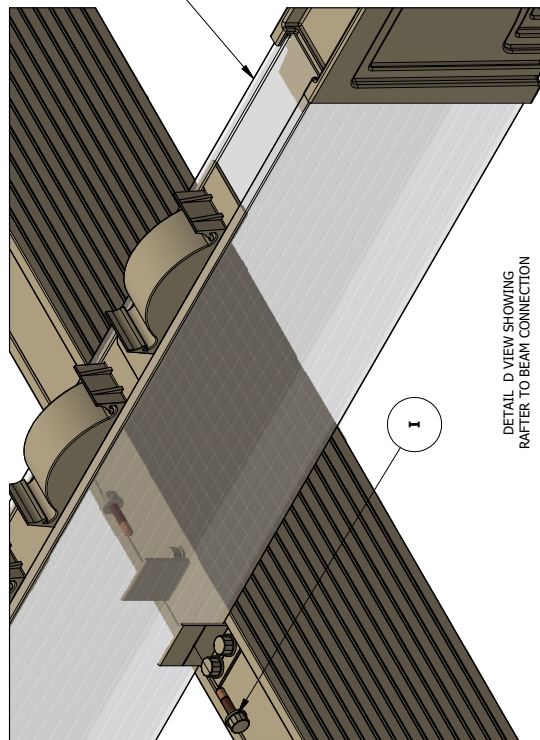
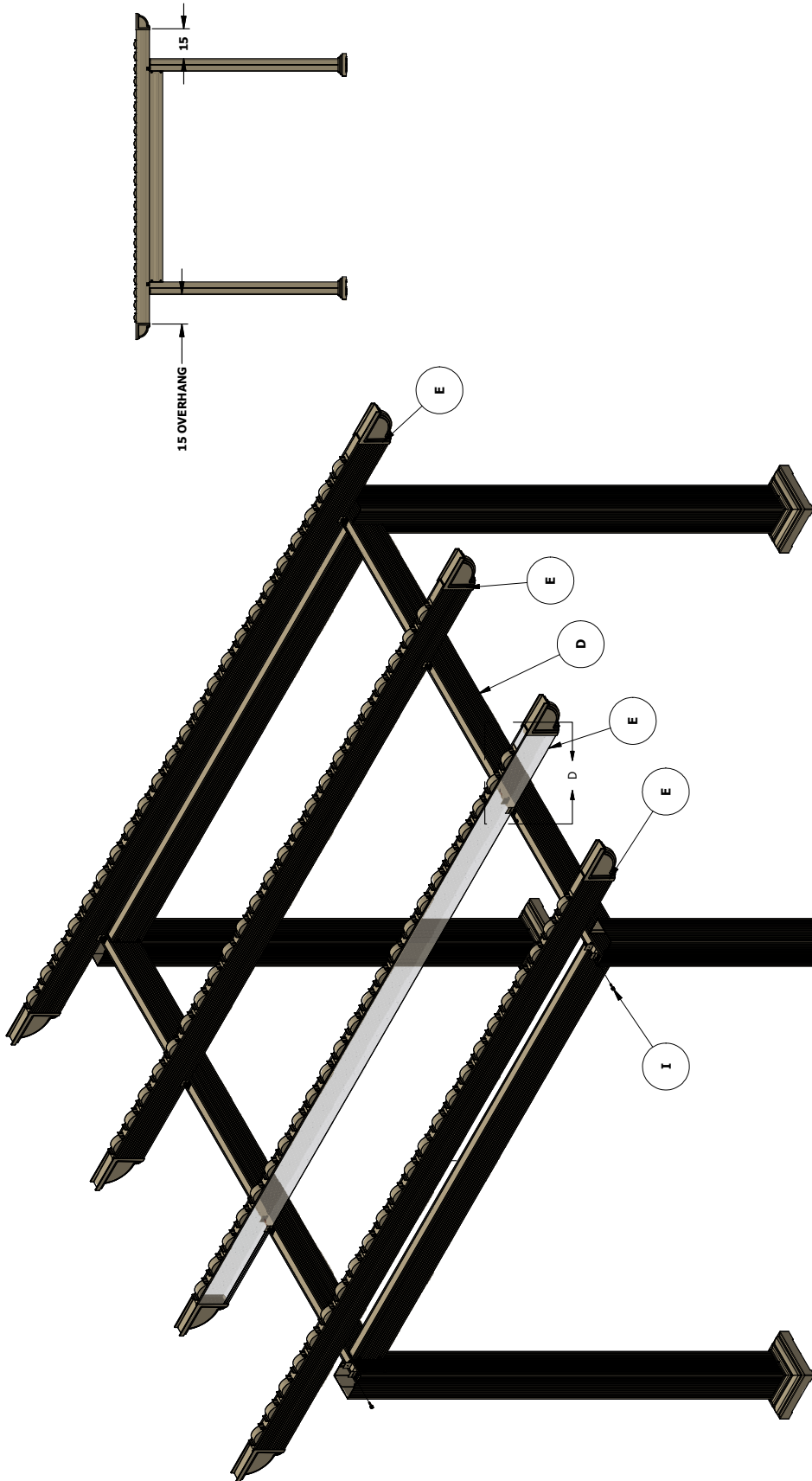
- STEP 2: FINAL ASSEMBLE FRAME**
1. REPEAT STEP ONE TO BUILD A SECOND ARCHWAY.
 2. SLIDE BRACES OVER BEAM / RAFTER FLAT CAP AND SECURE.
 3. AFTER BOTH BRACES ARE SECURED TO ARCHWAY ONE, SLIDE ARCHWAY 2 INTO POSITION. SECURE BRACES TO BEAM / RAFTER FLAT CAPS.
 4. LEVEL AND PLUMB COLUMNS. SECURE IN PLACE.
 5. SLIDE BASE / CAPS DOWN AND FASTEN IN PLACE.

ASSEMBLY PARTS LIST			
ITEM	QTY	PART NUMBER	DESCRIPTION
A	2	TA**CAKT-08	COLUMN A KIT ASSEMBLY 8FT
B	2	TA**CBRT-08	COLUMN B KIT ASSEMBLY 8FT
C	2	TI**BERA102.75	BEAM/RAFTER 102.75in
D	2	PA**BERA114.75	BEAM/RAFTER ASSY 114.75in
I	1	TI**HEXN12X1**	BI HEX NYLON HEAD 12x1in

LUXURY
BACKYARD LIVING.COM

20330 HALL RD.
CLINTON TWP., MI 48038

PRODUCT	PERGOLA	PART NUMBER:	PA**CAPRI12X12	REV.	1	SIZE:	D	DRAWN BY:	mfrk	DATE:	12/30/2022
DESCRIPTION		CAPRI PERGOLA 12 X 12		SCALE:		NONE		APPROVED BY:	MCF	DATE:	12/30/2022
DEALER:		N/A		FILE NAME:		12 x 12 Fixed Capri.lam		©2023 LuxuryBackyardLiving.com		SHEET: 3 OF 5	



DETAIL D VIEW SHOWING
RAFTER TO BEAM CONNECTION

STEP 3: ASSEMBLE RAFTERS TO BEAMS
 1. PLACE RAFTER AS SHOWN, SET OVERHANG TO 14" FROM COLUMN.
 2. SECURE WITH BI-HEX SCREWS AS SHOWN.

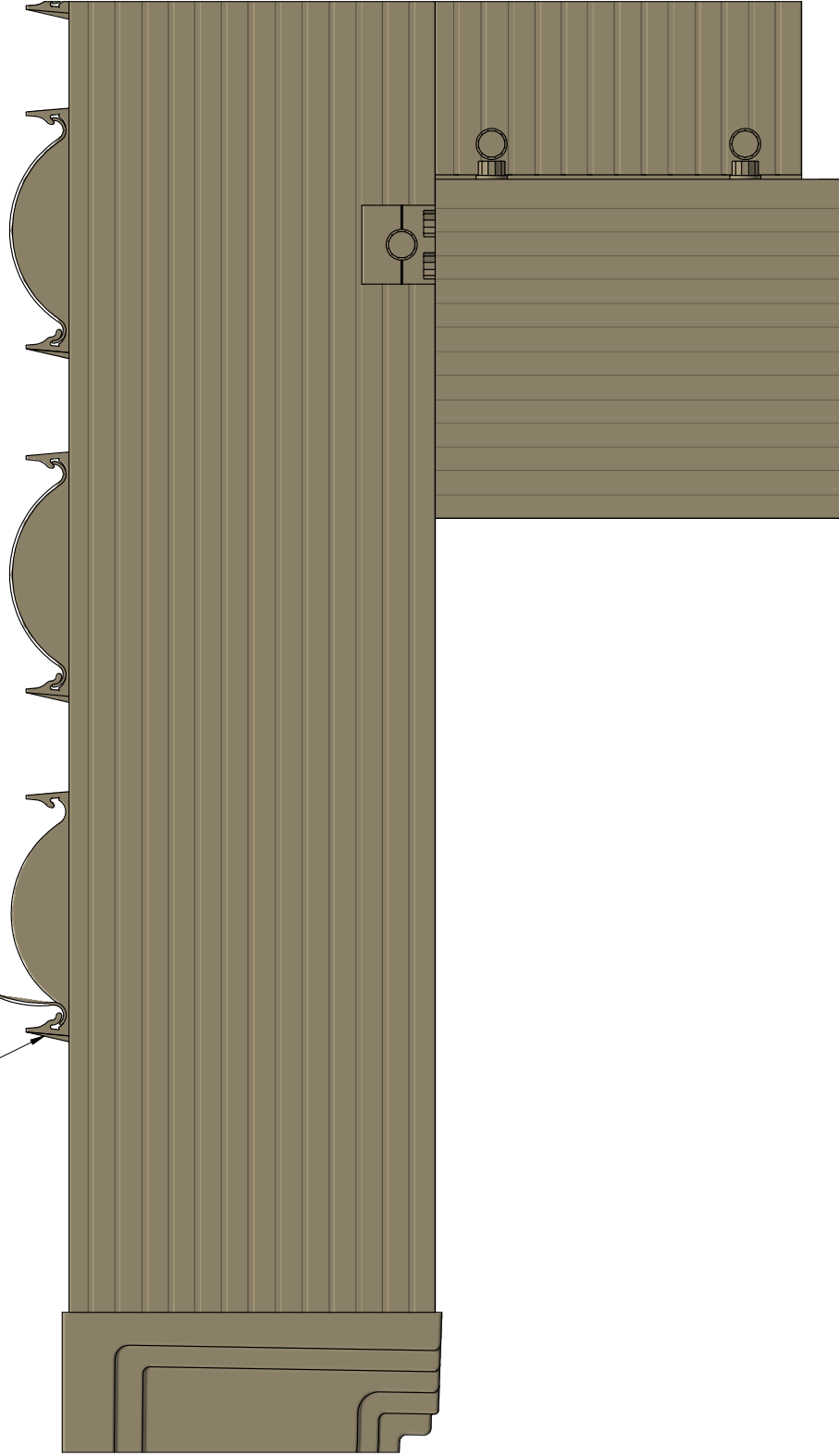
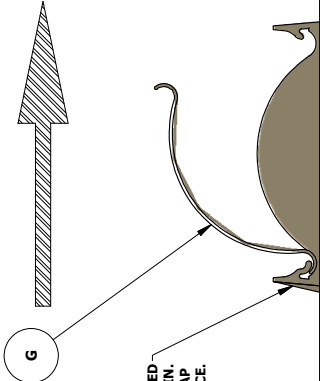
ITEM	QTY	PART NUMBER	DESCRIPTION
D	2	PA**BEA114.75	BEAM/AFTER ASSY 1.14.75in
E	4	PA**H-FXR144	FIXED RAFTER ASSEMBLY 144in
I	1	TI**HEXNI2X1**	BI-HEX NYLON HEAD 12x1in

LUXURY
BACKYARD LIVING.COM

20330 HALL RD.
CLINTON TWP., MI 48038

PRODUCT	PERGOLA	REV.	REV. 1	SIZE:	D	DATE:	12/30/2022
DESCRIPTION	CAPRI PERGOLA 12 X 12			SCALE:	NONE	APPROVED BY:	MCF
PART NUMBER: PA**CAPRI12X12		DRAWN BY: mfrnk		DATE:		12/30/2022	

DEALER: N/A FILE NAME: 12 x 12 Fixed Capri.iam @2023 LuxuryBackyardLiving.com SHEET: 4 OF 5



STEP 4: ASSEMBLE CRESCENTS
 1. SNAP CRESCENTS INTO PLACE AS SHOWN.

ASSEMBLY PARTS LIST	
ITEM	DESCRIPTION
G	PT**CREST112** CRESCENT 144in

LUXURY
BACKYARD LIVING.COM

20330 HALL RD.
CLINTON TWP., MI 48038

PRODUCT	PERGOLA	PA**CAPRI12X12	REV.	1	DATE:	12/30/2022	
DESCRIPTION	CAPRI PERGOLA 12 X 12		SCALE:	NONE	APPROVED BY:	MCF	
DEALER:	N/A	FILE NAME:	12 x 12 Fixed Capri.lam	@2022	LuxuryBackyardLiving.com	SHEET:	5 OF 5