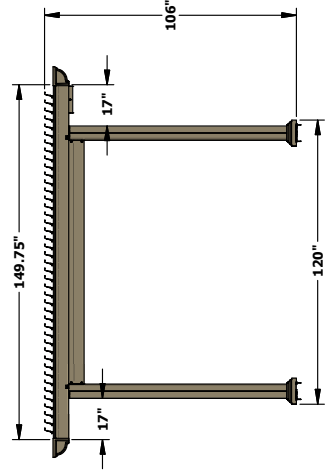
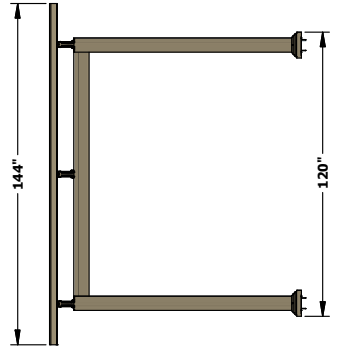
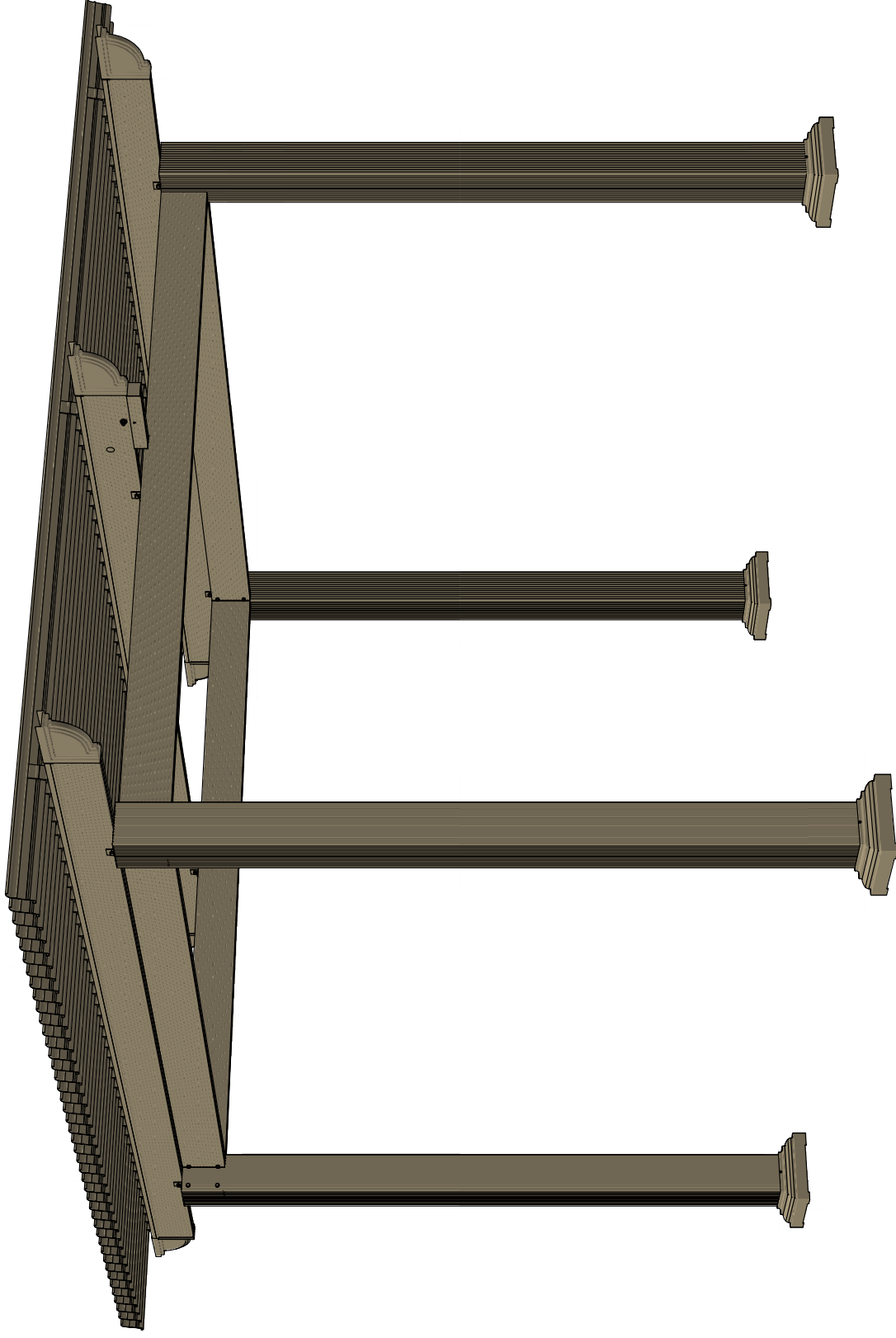

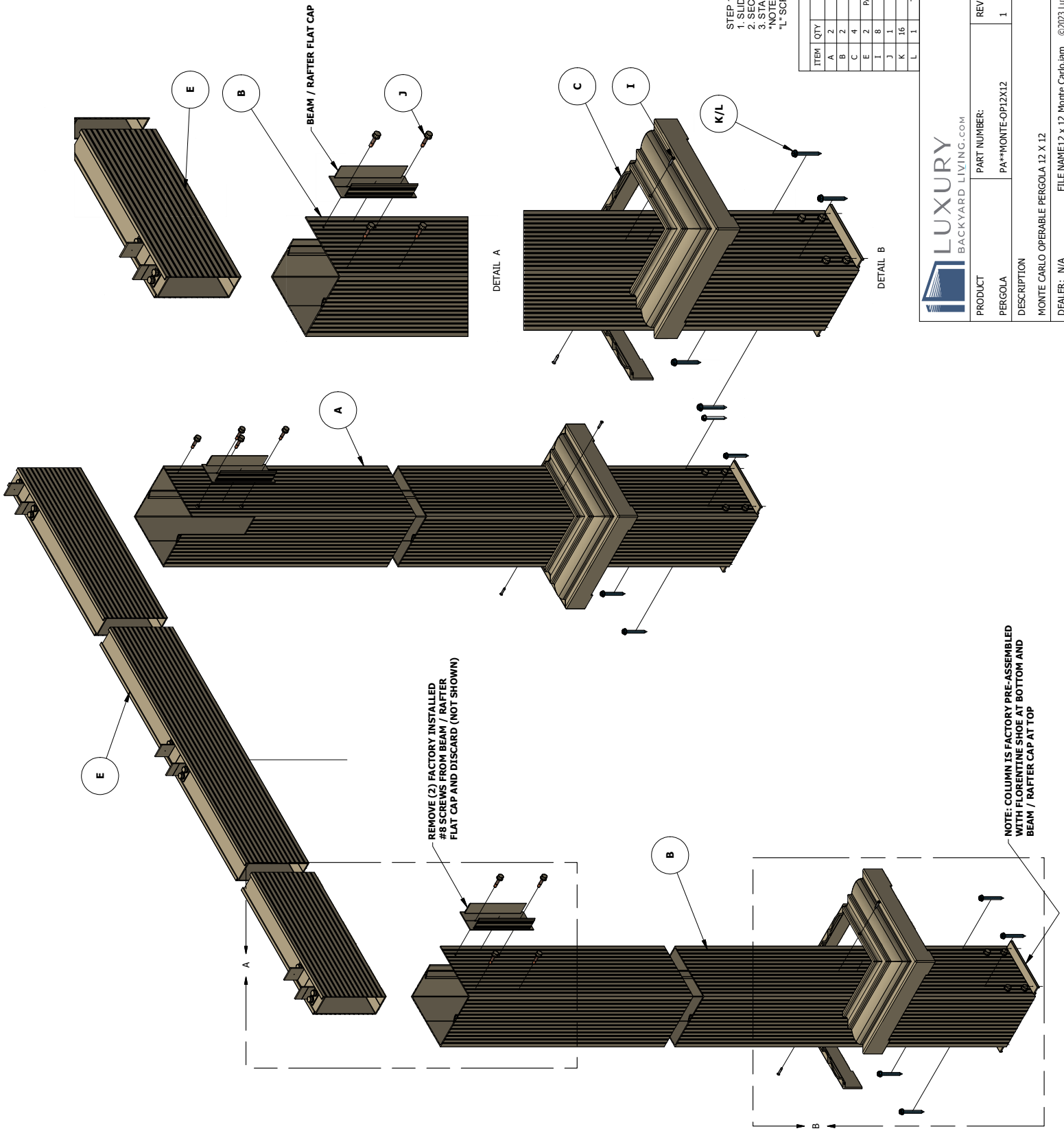


MONTE CARLO OPERABLE PERGOLA 12 X 12



		20330 HALL RD. CLINTON TWP., MI 48038	
PRODUCT	PART NUMBER:	REV.	SIZE:
PERGOLA	PA**MONTE-OP12X12	1	D
DESCRIPTION	MONTE CARLO OPERABLE PERGOLA 12 X 12		
DEALER: N/A	FILE NAME: 12 x 12 Monte Carlo.iam	©2023 LuxuryBackyardLiving.com	SHEET: 1 OF 5
DATE:	DRAWN BY:	DATE:	APPROVED BY:
1/4/2023	mfrnk	1/4/2023	MCF
SCALE:	SCALE:	DATE:	DATE:
NONE	NONE	1/4/2023	1/4/2023



REMOVE (2) FACTORY INSTALLED #8 SCREWS FROM BEAM / RAFTER FLAT CAP AND DISCARD (NOT SHOWN)

NOTE: COLUMN IS FACTORY PRE-ASSEMBLED WITH FLORENTINE SHOE AT BOTTOM AND BEAM / RAFTER CAP AT TOP

STEP 1: BUILD ARCHWAY LAYING DOWN
 1. SLIDE BEAM INTO COLUMN NOTCHES
 2. SECURE BEAM AND BRACE BRACKET TO COLUMNS
 3. STAND POSITION AND SECURE ARCHWAY INTO PLACE.
 *NOTE: "K" SCREWS TO BE USED FOR CONCRETE.
 "L" SCREWS TO BE USED WITH WOOD.

ITEM	QTY	PART NUMBER	DESCRIPTION
A	2	TA**-CBKIT-08	COLUMN A KIT ASSEMBLY 8FT
B	2	TA**-CBKIT-08	COLUMN B KIT ASSEMBLY 8FT
C	4	TI**-FLBCL1X1.1	BASE/CAP 2PC FLORENTINE 1X1.1
E	2	PA**-BEAM-OP114.75	BEAM/RAFTER ASSY FOR OP 114.75in
I	8	TI**-FAS63069**	PH FLAT HEAD #6x.75in
J	1	TI**-HEKN3076**	BT HEX NYLON HEAD 12x1in 50pk BZ
K	16	TI**-TAPC227612	TAPCON 0.25inx2.25in EA
L	1	TI**-SSNW307620	SHEET SCREW/NEO WASHER #12x2.5in .25pk ML

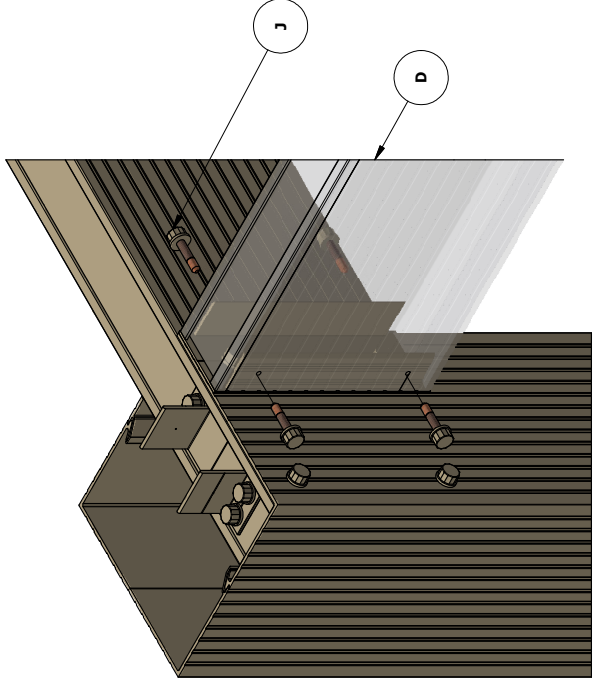
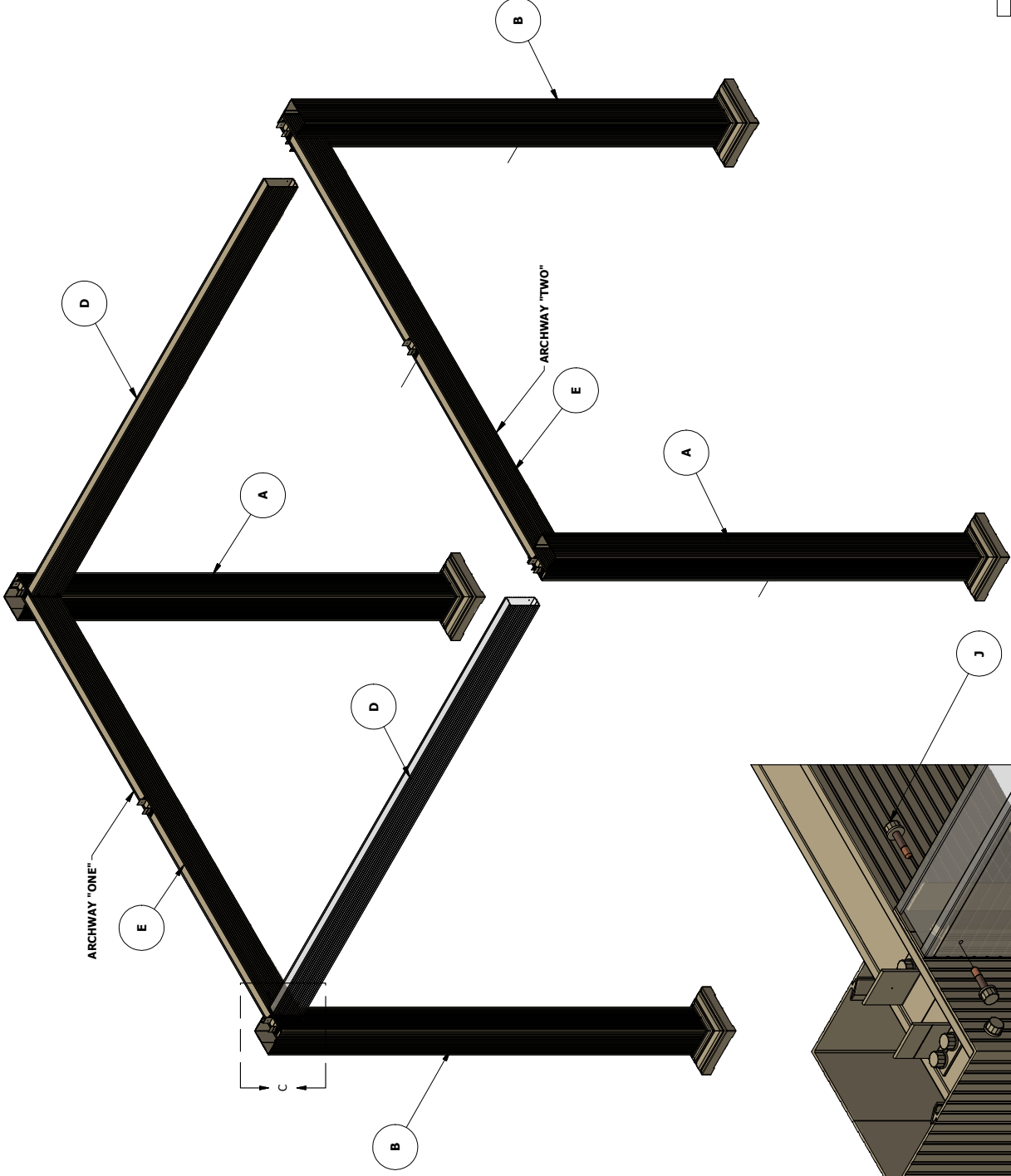
ASSEMBLY PARTS LIST			
ITEM	QTY	PART NUMBER	DESCRIPTION
A	2	TA**-CBKIT-08	COLUMN A KIT ASSEMBLY 8FT
B	2	TA**-CBKIT-08	COLUMN B KIT ASSEMBLY 8FT
C	4	TI**-FLBCL1X1.1	BASE/CAP 2PC FLORENTINE 1X1.1
E	2	PA**-BEAM-OP114.75	BEAM/RAFTER ASSY FOR OP 114.75in
I	8	TI**-FAS63069**	PH FLAT HEAD #6x.75in
J	1	TI**-HEKN3076**	BT HEX NYLON HEAD 12x1in 50pk BZ
K	16	TI**-TAPC227612	TAPCON 0.25inx2.25in EA
L	1	TI**-SSNW307620	SHEET SCREW/NEO WASHER #12x2.5in .25pk ML

LUXURY
 BACKYARD LIVING.COM

20330 HALL RD.
 CLINTON TWP., MT. 48038

PRODUCT	PART NUMBER:	REV.	SIZE:	DRAWN BY:	DATE:
PERGOLA	PA**-MONTE-OP12X12	1	D	mifink	1/4/2023
DESCRIPTION	MONTE CARLO OPERABLE PERGOLA 12 X 12		SCALE:	APPROVED BY:	DATE:
DEALER: N/A	FILE NAME: 12 x 12 Monte Carlo.lam	©2023 LuxuryBackyardLiving.com	NONE	MCF	1/4/2023

SHEET: 2 OF 5



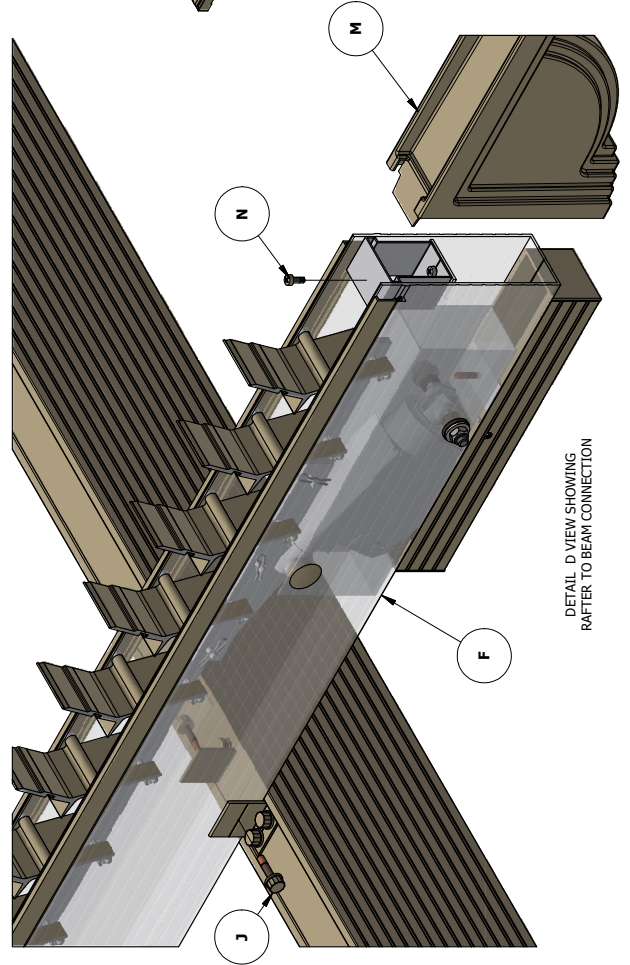
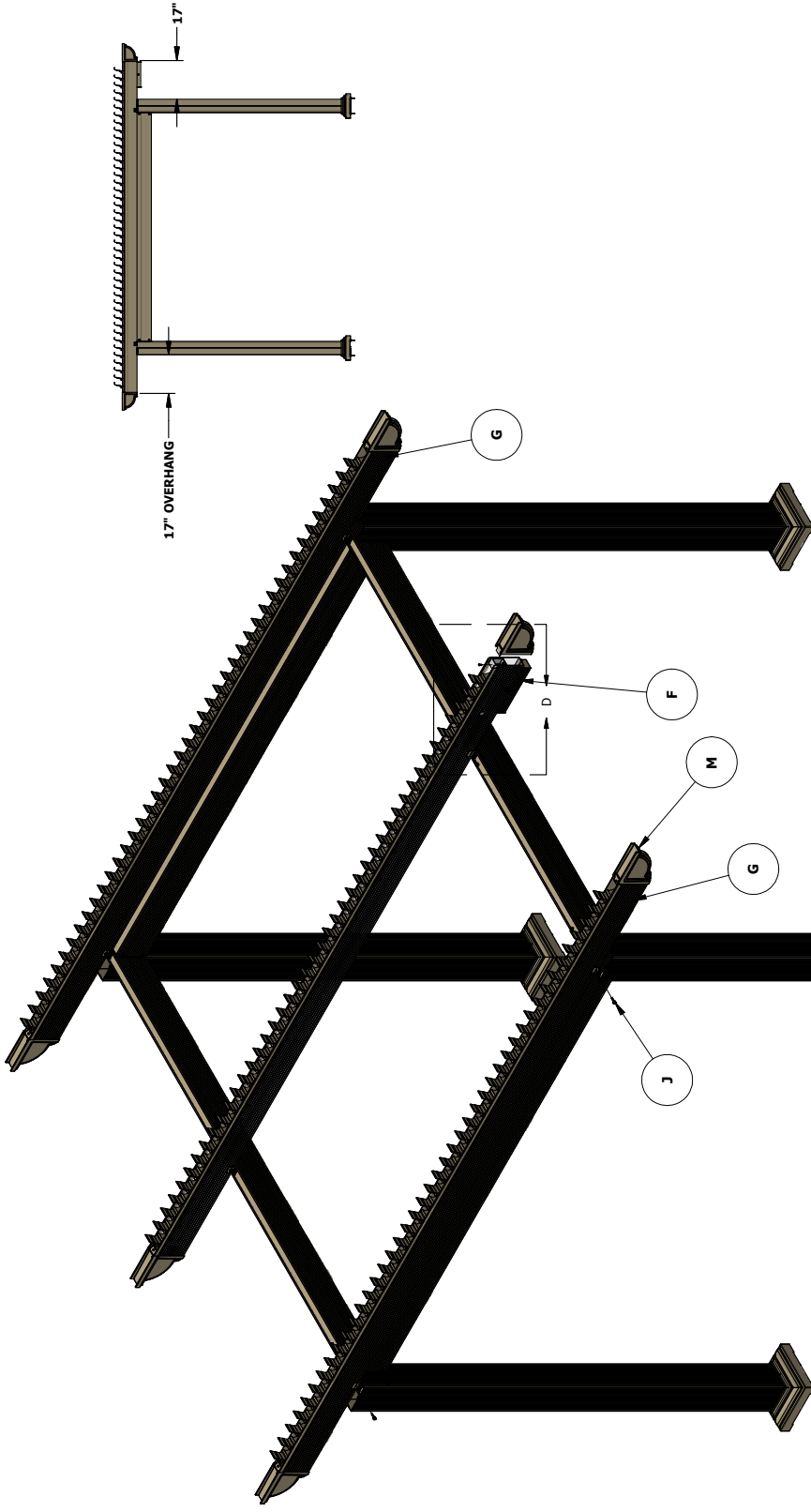
- STEP 2: FINAL ASSEMBLE FRAME**
1. REPEAT STEP ONE TO BUILD A SECOND ARCHWAY.
 2. SLIDE BRACES OVER BEAM / RAFTER FLAT CAP AND SECURE.
 3. AFTER BOTH BRACES ARE SECURED TO ARCHWAY ONE, SLIDE ARCHWAY 2 INTO POSITION, SECURE BRACES TO BEAM / RAFTER FLAT CAPS.
 4. LEVEL AND PLUMB COLUMNS, SECURE IN PLACE.
 5. SLIDE BASE / CAPS DOWN AND FASTEN IN PLACE.

ASSEMBLY PARTS LIST			
ITEM	QTY	PART NUMBER	DESCRIPTION
A	2	TA**-CAKIT-08	COLUMN A KIT ASSEMBLY 8FT
B	2	TA**-CBKIT-08	COLUMN B KIT ASSEMBLY 8FT
D	2	TT**-BERA102.75	BEAM/RAFTER 102.75in
E	2	PA**-BERA-OP114.75	BEAM/RAFTER ASSY FOR OP 114.75in
J	1	TI**-HEXN3076**	BI HEX NYLON HEAD 12x1in 50pk BZ

LUXURY
BACKYARD LIVING.COM

20330 HALL RD.
CLINTON TWP., MI 48038

PRODUCT	PERGOLA	PART NUMBER:	PA**-MONTE-OP12X12	REV.	1	SIZE:	D	DRAWN BY:	mifnk	DATE:	1/4/2023
DESCRIPTION	MONTE CARLO OPERABLE PERGOLA 12 X 12										
DEALER:	N/A										
FILE NAME:	12 x 12 Monte Carlo.iam ©2023 LuxuryBackyardLiving.com										
SHEET:	3 OF 5										



DETAIL D VIEW SHOWING
RAFTER TO BEAM CONNECTION

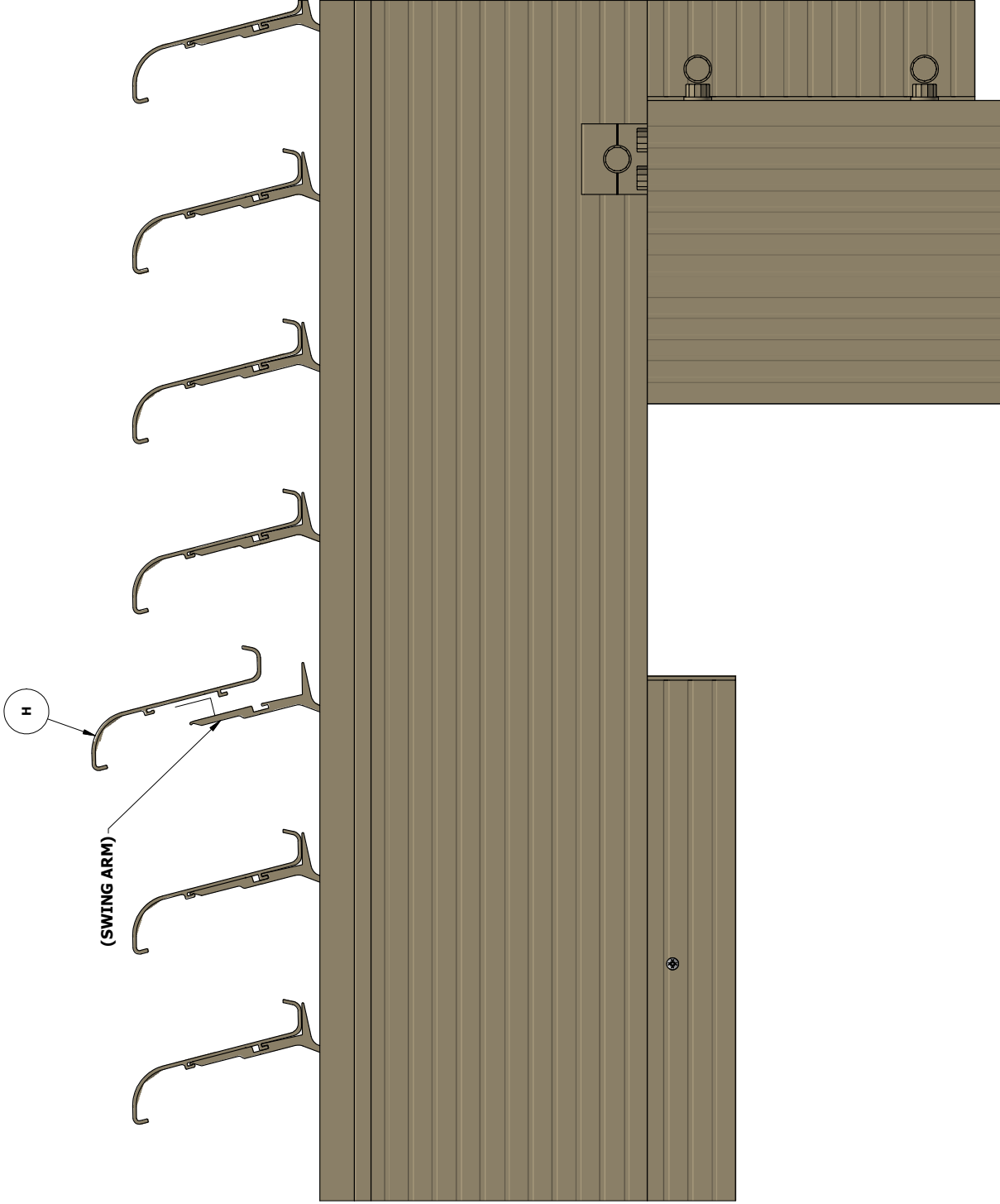
STEP 3: ASSEMBLE RAFTERS TO BEAMS
 1. PLACE RAFTER AS SHOWN, SET OVERHANG TO 17" FROM COLUMN.
 2. SECURE WITH BI-HEX SCREWS AS SHOWN.
 3. INSTALL CORBEL TO RAFTER ENDS AND SECURE WITH #8 TEK SCREWS.

ITEM	QTY	PART NUMBER	DESCRIPTION
F	1	PA**-DRRA-CLF149.75	DRIVE RAFTER CLASSIC ASSY 149.75 in FREESTANDING
G	2	PA**-OPRA-CLF149.75	OPERABLE RAFTER CLASSIC ASSY 149.75 in FREESTANDING
J	1	TI**-HEKN3076**	BI HEX NYLON HEAD 12x1in 50pk BZ
M	6	PI**-CDECI111**	CORBEL DECOR ENDCAP/LARGE
N	6	TI**-FAS30687*	PH PAN TEK #8x0.5in

LUXURY
BACKYARD LIVING.COM

20330 HALL RD.
CLINTON TWP., MI 48038

PRODUCT	PERGOLA	REV.	1	SIZE:	D	DRAWN BY:	mfrnk	DATE:	1/4/2023
DESCRIPTION	MONTE CARLO OPERABLE PERGOLA 12 X 12	REV.	1	SCALE:	NONE	APPROVED BY:	MCF	DATE:	1/4/2023
DEALER:	N/A	FILE NAME:	12 x 12 Monte Carlo.iam	©2023	LuxuryBackyardLiving.com	SHEET:	4 OF 5		



(SWING ARM)

H

STEP 4: ASSEMBLE LOUVERS
 1. USING A RUBBER Mallet, SNAP LOUVERS INTO PLACE AS SHOWN.
 NOTE a: DRIVE RAFTER IS SUPPLIED WITH THE SWING ARMS IN THE CLOSED POSITION. PRIOR TO INSTALLING THE LOUVERS, POWER CONNECTION MUST BE MADE TO POSITION SWING ARMS IN THE OPEN POSITION TO ACCEPT LOUVERS.
 NOTE b: IT IS USER PREFERENCE WHERE THE CONTROL BOX IS TO BE MOUNTED. COMMON LOCATIONS ARE: ON A COLUMN, ON A BEAM, OR AT THE HOUSE.

ASSEMBLY PARTS LIST	
ITEM	DESCRIPTION
QTY	PART NUMBER
43	PT**-LOUV1112**
H	LOUVER 144in

		20330 HALL RD. CLINTON TWP., MI 48038	
PRODUCT	PART NUMBER:	REV.	DATE:
PERGOLA	PA**MONTE-OP12X12	1	1/4/2023
DESCRIPTION	SCALE:	APPROVED BY:	DATE:
MONTE CARLO OPERABLE PERGOLA 12 X 12	NONE	MCF	1/4/2023
DEALER: N/A	FILE NAME: 12 x 12 Monte Carlo.lam	© 2023 LuxuryBackyardLiving.com	SHEET: 5 OF 5